
1.5DRE

Aluminium gear flow dividers

Technical Catalogue

E0.109.0219.02.00IM02



salamini ®

GEAR DIVIDERS

A flow divider is composed by two or more modular elements (stages) with driving gears mechanically linked by an internal coupling sleeve, that causes them to turn at the same speed. Unlike multiple pumps, in which the input power is mechanical (shaft connected to a motor), in a flow divider the input power is hydraulic, i.e. a flow under pressure supplies the modular elements, which are connected to the hydraulic circuits serving the users.

The portion of flow elaborated by each element is determined by its nominal flow rate. Therefore, unlike standard static dividers with variable ports, the flow dividers do not cause dissipation and are much more precise. The use of flow dividers reduces the number of pumps necessary as well as the associated individual mechanical power takeoffs and complex mechanical couplers (with greater losses). The total input power is always equal to the sum of the powers supplied by all elements plus a small power loss, usually negligible.

Therefore, if in a period of time the power required by a hydraulic circuit is equal to zero (inactive drained circuit), the power supplied by the element feeding that circuit becomes available for the other elements, which may use it in their own circuits, also operating at higher pressures than the intake pressure.

Typical applications

Flow dividers

Supply of two or more independent hydraulic circuits by means of a single pump, with an overall flow rate equal to the sum of the flow rates.

Examples of this kind of application:

- lifting platforms and bridges;
- hydraulic bending presses and shearing machines;
- hoisting of freight containers;
- lubrication systems;
- hydraulic opening / closing of gates;
- automatic hydraulically-driven machines;
- actuation of formwork for construction;
- wood processing machinery;
- conveyance of trolleys driven by hydraulic cylinders or motors;
- equipment for the food industry;
- military installations.

Pressure amplifiers

If one line requires higher operating or peak pressure than the others, a flow divider becomes a better solution than a pressure upgrade of all the lines.

With a two-element flow divider the flow can be discharged from the outlet of the first element so that the pressure in the second element becomes higher than the pressure on the main pump.

Examples of this kind of application:

- presses with fast movements
- machine tools

TECHNICAL DATA

- Minimum operating fluid viscosity	12 mm ² / sec
- Max starting viscosity	800 mm ² / sec
- Suggested fluid viscosity range	17 - 65 mm ² / sec
- Fluid operating temperature range	-20 to 80 °C
- Fluid operating temperature range with FPM seals (Viton)	-15 to 110°C
- Fluid operating temperature range with HNBR seals*	-30 to 110°C
- Hydraulic fluid	mineral oil

*Available on request

FILTRATION INDEX RECOMMENDED

Working pressure	>200 bar/2900 psi	<200 bar/2900 psi
Contamination class NAS 1638	9	10
Contamination class ISO 4406	19/18/15	20/19/16
Achieved with filter $\beta_x=75$	15 μ m	25 μ m

For different TECHNICAL DATA, please contact our sales department.

WORKING CONDITIONS

Max flow for each inlet section

When the inlet flow exceed the 40 l/min (1.5DRE) - 80 l/min (2DRE), please contact our sales department.

When the flow divider is used as pressure intensifier, the pressure between sections can be higher.

P₁ Max continuous pressure

P₂ Max peak pressure

1.5DRE - Type	Displacement		Max outlet pressure				Max outlet Δp		Speed		Flow per section		Flow per section	
			P ₁	P ₂	P ₁	P ₂	between sections		min.	max.	min.	max.	min.	max.
	cm ³ /rev	cu.in./rev	bar	bar	psi	psi	bar	psi	min-1		l/min		gpm	
1.5DRE - 2.8	2.8	0.17	250	270	3625	3915	50	725	1200	4500	3.54	13.26	0.93	3.49
1.5DRE - 3.5	3.5	0.21	250	270	3625	3915	50	725	1200	4500	4.42	16.58	1.16	4.36
1.5DRE - 4.1	4.1	0.25	250	270	3625	3915	50	725	1200	4000	5.18	17.26	1.36	4.54
1.5DRE - 5.2	5.2	0.32	230	250	3335	3625	50	725	1200	4000	6.57	21.89	1.73	5.76
1.5DRE - 6.2	6.2	0.38	230	250	3335	3625	50	725	1200	3400	7.83	22.19	2.06	5.84
1.5DRE - 7.6	7.6	0.46	200	220	2900	3190	50	725	1200	3400	9.60	27.20	2.53	7.16
1.5DRE - 9.3	9.3	0.57	180	200	2610	2900	50	725	1200	3000	11.75	29.37	3.09	7.73
1.5DRE - 11	11	0.67	170	190	2465	2755	50	725	1200	3000	13.89	34.74	3.66	9.14

E0.100.0219.02.00IM02



P₁ Max continuous pressure

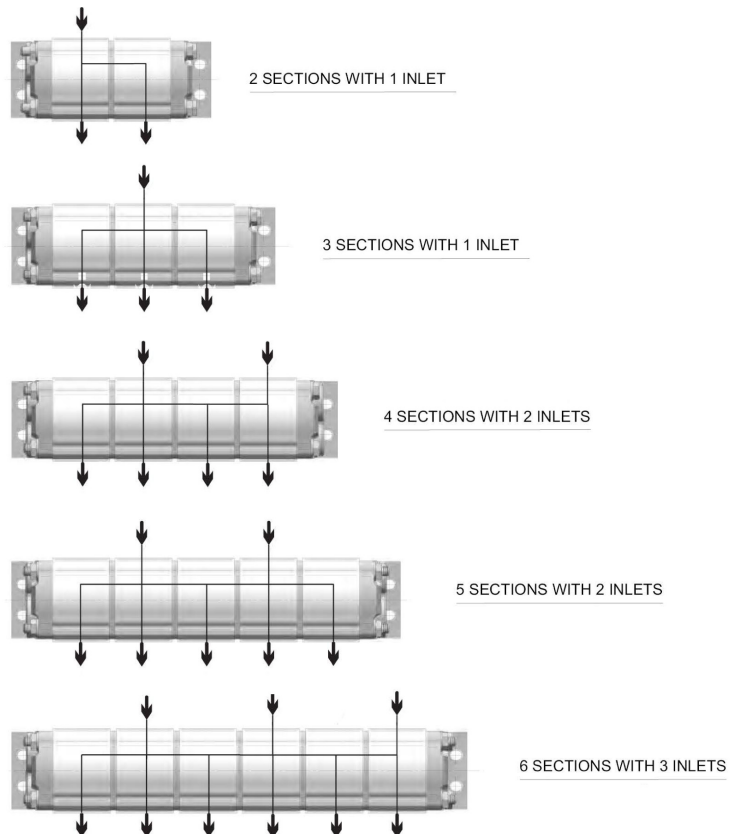
P₂ Max peak pressure

2DRE - Type	Displacement		Max. Outlet Pressure				Max. Outlet Δp		Speed		Flow per section		Flow per section	
			p ₁	p ₂	p ₁	p ₂	between sections		min.	max.	min.	max.	min.	max.
	cm ³ /rev	cu.in./rev	bar	bar	psi	psi	bar	psi	min ⁻¹		l/min		gpm	
2DRE - 8,3	8.20	0.50	250	280	3625	4060	50	725	1200	3600	10.36	31.07	2.73	8.18
2DRE - 10,5	10.60	0.65	250	280	3625	4060	50	725	1200	3500	13.39	39.05	3.52	10.28
2DRE - 11,3	11.50	0.68	250	280	3625	4060	50	725	1200	3500	14.53	42.37	3.82	11.15
2DRE - 12,5	12.70	0.77	250	280	3625	4060	50	725	1200	3400	16.04	45.45	4.22	11.96
2DRE - 13,8	13.80	0.84	250	280	3625	4060	50	725	1200	3400	17.43	49.39	4.59	13.00
2DRE - 16	16.60	1.01	250	280	3625	4060	50	725	1100	3200	19.22	55.92	5.06	14.71
2DRE - 19	19.40	1.15	220	240	3190	3480	50	725	1100	3200	22.46	65.35	5.91	17.20
2DRE - 22,5	22.90	1.37	220	240	3190	3480	50	725	1100	3000	26.52	72.32	6.98	19.03
2DRE - 26	25.80	1.58	200	220	2900	3190	50	725	1100	2850	29.87	77.40	7.86	20.37
2DRE - 30	30.10	1.84	200	220	2900	3190	50	725	1100	2700	34.85	85.55	9.71	22.51

GUIDELINE FOR THE COMBINATION OF THE ELEMENTS

In flow dividers with many inlets, as they are all communicating it is even possible to use only one of them, by plugging the other ones. We suggest to make configurations with one inlet every 80 l/min (for 2DRE) and 40 l/min (for 1.5DRE) of flow elaborated. For division error less than 4% a maximum level of differential pressure of 50 bar between elements is suggested.

Number of elements	Number of inlets
2	1
3	1
4	2
5	2
6	3

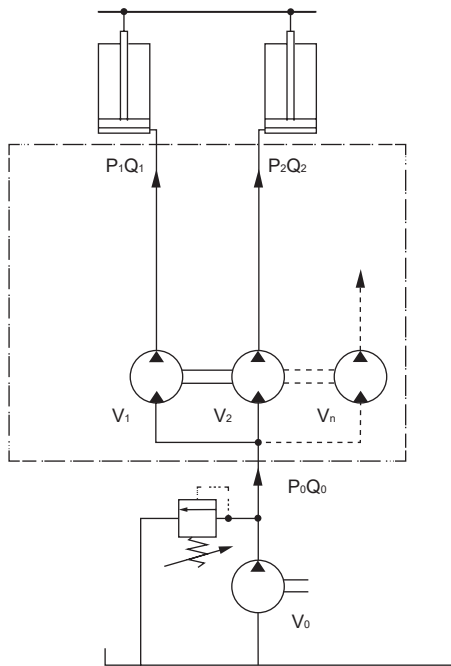


EO.100.0219.02.001M02



DISPLACEMENT SELECTION

In order to equalize the flow, it needs to maintain the speed within the suggested speed range, with a Δp max of 50 bar (725 psi) between the different stages. Keeping these conditions, we can assure a flow deviation, within $\pm 2\%$ on the different stages.



- n = number of section
- $V_{1,2\dots n}$ = displacement sections [cm³/rev]
- $Q_{1,2\dots n}$ = flow sections [l/min]
- $P_{1,2\dots n}$ = pressure sections [bar]
- N = speed [rpm]
- $Q_0 = Q_1 + Q_2 + \dots + Q_n$ pump flow [l/min]
- $P_0 Q_0 = P_1 Q_1 + P_2 Q_2 + \dots + P_n Q_n$

$$V_i = \frac{1000 Q_i}{N}$$

INDEX

Assembling Dimensions- <i>Basic Release</i>	219
Valves	220
Assembling Dimensions- <i>1.5DRE-VA</i>	221
Ports	222
How To Order Flow Dividers <i>1.5DRE-Basic Release</i>	223
How To Order Flow Dividers <i>1.5DRE-VA</i>	224

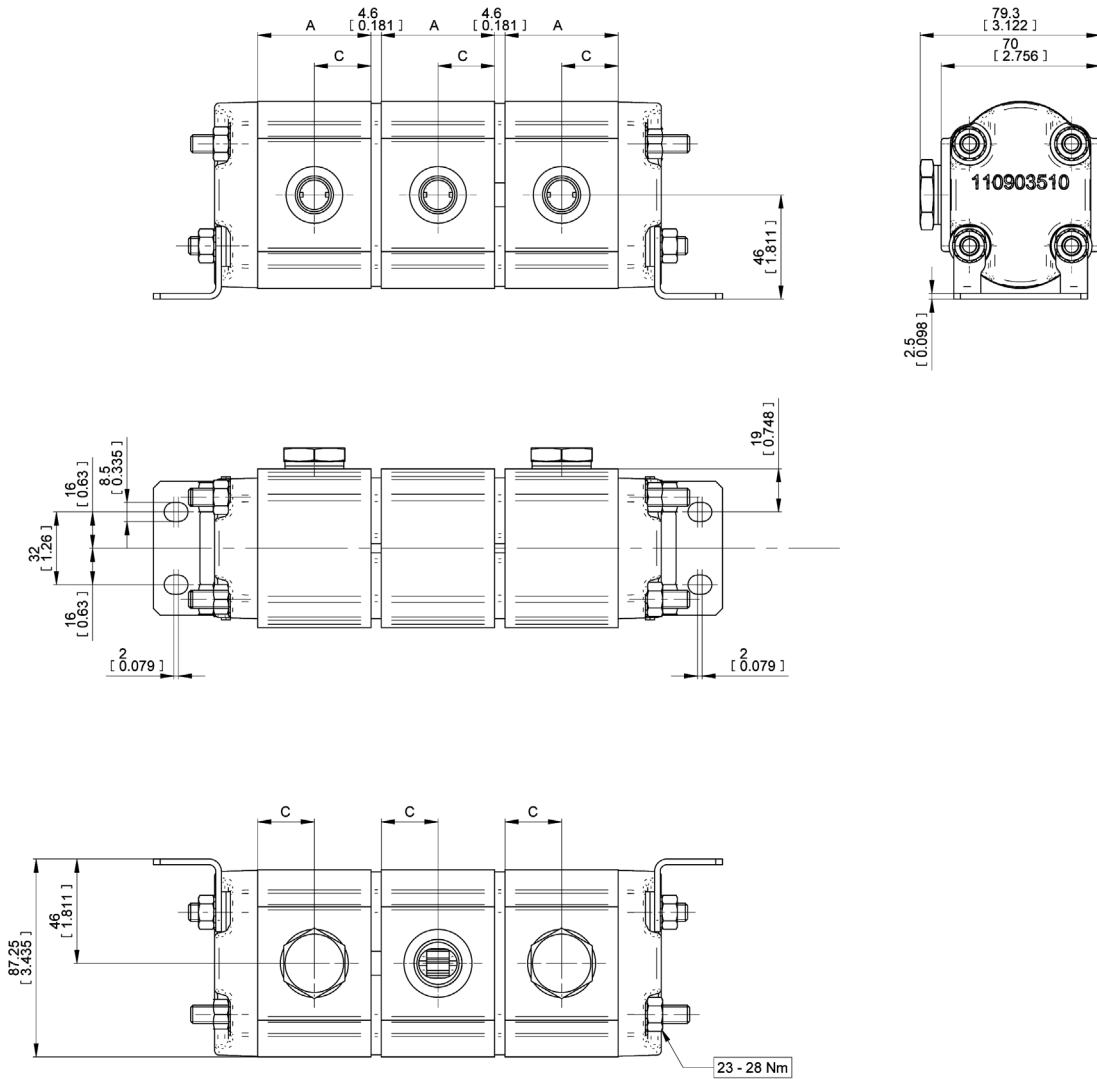
Final revised edition - February 2019

The data in this catalogue refers to the standard product.

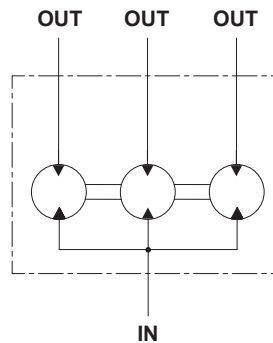
The policy of Salami S.p.A. consists of a continuous improvement of its products. It reserves the right to change the specifications of the different products whenever necessary and without giving prior information.

If any doubts, please contact our sales department.

ASSEMBLING DIMENSIONS
BASIC RELEASE



Type	Dimension A		Dimension C	
	mm	in	mm	in
1.5DRE - 2.8	47.9	1.89	23.95	0.94
1.5DRE - 3.5	49.9	1.96	24.95	0.98
1.5DRE - 4.1	51.6	2.03	25.8	1.02
1.5DRE - 5.2	54.7	2.15	27.35	1.08
1.5DRE - 6.2	57.5	2.26	28.75	1.13
1.5DRE - 7.6	61.5	2.42	30.75	1.21
1.5DRE - 9.3	66.3	2.61	33.15	1.31
1.5DRE - 11	71.1	2.80	35.55	1.40

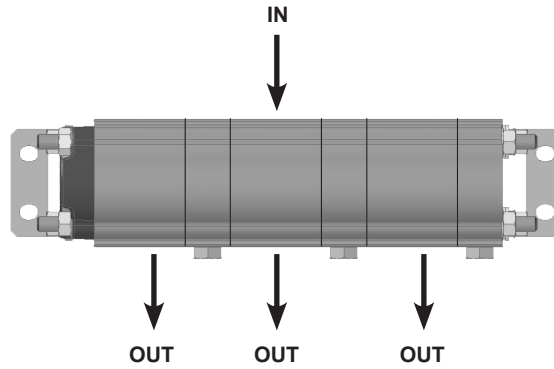
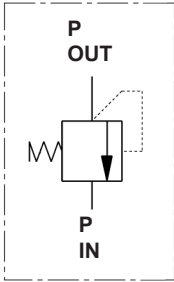


EO.109.0219.02.001M02

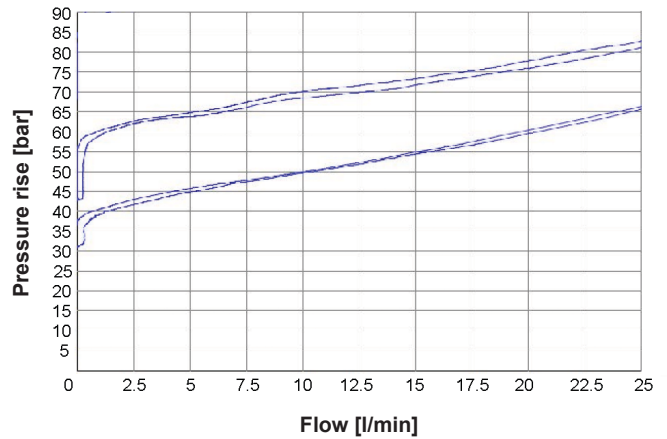
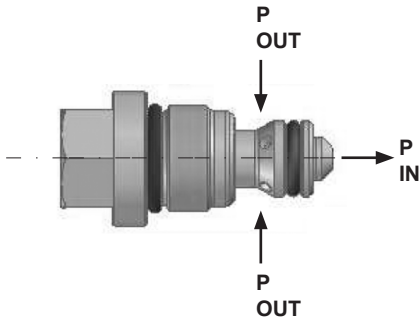
VALVES

VA

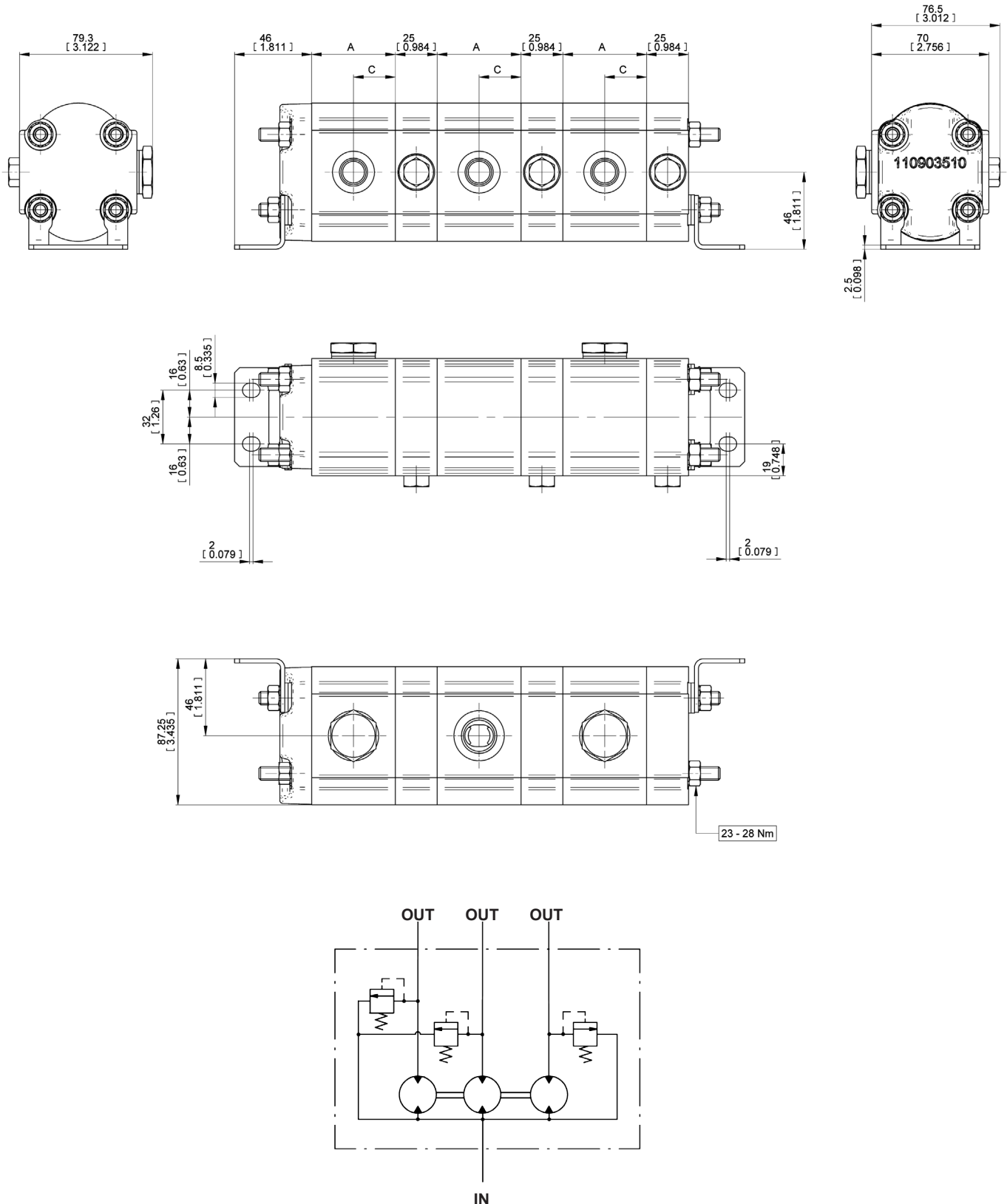
Overload valve
(setting 70 bar - 1015 psi)



Overload valve allow the actuators to realign at the end of each cycle, discharging the overflow in the inlet line of the divider, for this reason they are setting at 70 bar.

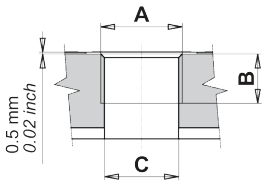
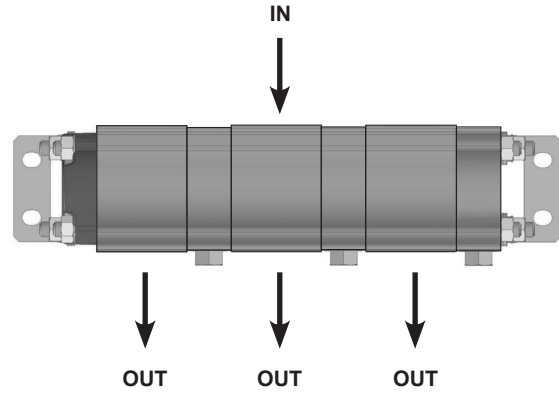
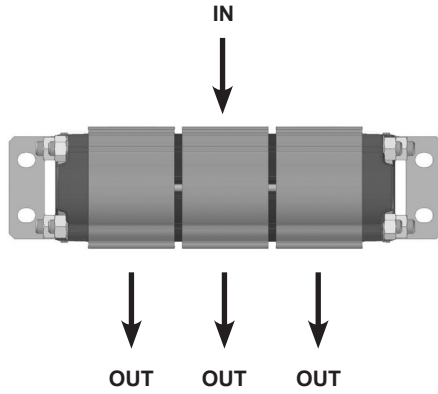


ASSEMBLING DIMENSIONS-1.5DRE-VA
RELEASE WITH VALVES/INTERNAL BY PASS



EO.109.0219.02.001M02

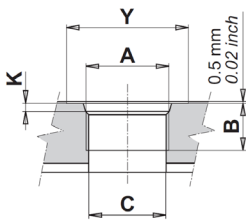
THREADED PORTS



code G

Threaded ports
GAS (BSPP)

TYPE	INLET			OUTLET		
	A	B	C	A	B	C
From 2.8 to 6.2	G1/2	15 (0.59")	17 (0.67")	G3/8	13 (0.51")	13 (0.51")
From 7.6 to 11				G1/2	15 (0.59")	



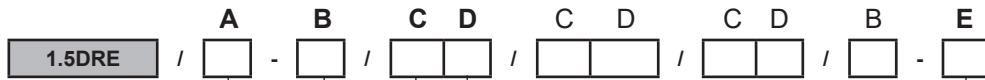
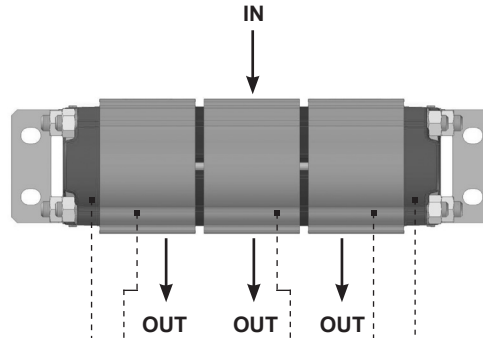
code R

Threaded ports
SAE (ODT)

TYPE	INLET					OUTLET				
	A	B	C	Y	K	A	B	C	Y	K
From 2.8 to 6.2	3/4 -16 UNF (SAE 8)	14.5 (0.57")	13 (0.51")	30 (1.18")	2.5 (0.10")	9/16 - 18 UNF (SAE6)	13 (0.51")	25 (0.98")	25 (0.98")	2.5 (0.10")
From 7.6 to 11	7/8 -14 UNF (SAE10)	16.7 (0.66")	20 (0.79")	34 (1.34")	2.5 (0.10")	3/4" 16 UNF (SAE8)	14.5 (0.57")	15 (0.59")	30 (1.18")	



FLOW DIVIDERS
BASIC RELEASE



PORTS (page 222)	CODES	A
GAS threaded ports (BSPP)	G	
SAE threaded ports (ODT)	R	

COVERS	CODES	B
Without inlet port	0	
With inlet port	1	

DISPLACEMENTS		CODES	C
2.8 cm ³ /rev.	0.17 cu.in/rev.	2.8	
3.5 cm ³ /rev.	0.21 cu.in/rev.	3.5	
4.1 cm ³ /rev.	0.25 cu.in/rev.	4.1	
5.2 cm ³ /rev.	0.32 cu.in/rev.	5.2	
6.2 cm ³ /rev.	0.38 cu.in/rev.	6.2	
7.6 cm ³ /rev.	0.46 cu.in/rev.	7.6	
9.3 cm ³ /rev.	0.57 cu.in/rev.	9.3	
11 cm ³ /rev.	0.67 cu.in/rev.	11	

E	SEAL	CODE
	Buna standard	
	Viton	V

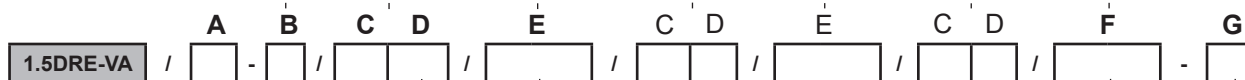
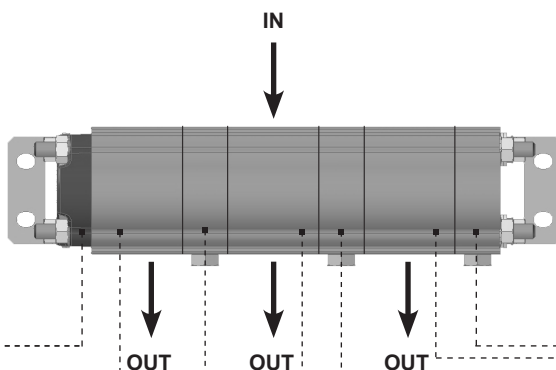
D	BODIES	CODES
	Body with outlet port only	O
	Body with inlet and outlet ports	IO

Order example: 1.5DRE (type), ports GAS (G), cover without inlet ports (0), displacement (4.1), outlet port (O) or inlet and outlet ports (IO), cover without inlet ports (0).
1.5DRE/G-0/4.1O/4.1IO/4.1O/0

EO.109.0219.02.001M02



FLOW DIVIDERS 1.5DRE-VA



PORTS (page 235)		CODES	A
GAS threaded ports (BSPP)		G	
SAE threaded ports (ODT)		R	

COVERS		CODES	B
Without inlet port		0	
With inlet port		1	

DISPLACEMENTS		CODES	C
2.8 cm ³ /rev.	0.17 cu.in/rev.	2.8	
3.5 cm ³ /rev.	0.21 cu.in/rev.	3.5	
4.1 cm ³ /rev.	0.25 cu.in/rev.	4.1	
5.2 cm ³ /rev.	0.32 cu.in/rev.	5.2	
6.2 cm ³ /rev.	0.38 cu.in/rev.	6.2	
7.6 cm ³ /rev.	0.46 cu.in/rev.	7.6	
9.3 cm ³ /rev.	0.57 cu.in/rev.	9.3	
11 cm ³ /rev.	0.67 cu.in/rev.	11	

G	SEAL	CODE
	Buna standard	
	Viton	V

F	END PLATE	CODE
	Pre-arranged for Overload valve 70 bar VA	2VA70

E	MID PLATE	CODE
	Pre-arranged for Overload valve 70 bar VA	3VA70

D	BODIES	CODES
	Body with outlet port only	O
	Body with inlet and outlet ports	IO

Order example: 1.5DRE-VA (type), ports GAS (G), cover without inlet ports (0), displacement (8.3), outlet port (O) or inlet and outlet ports (IO), mid plate pre-arranged for valve VA (3VA70), end plate pre-arranged for valve VA (2VA70).
1.5DRE-VA/G-0/2.8IO/3VA70/2.8IO/3VA70/2.8O/2VA70

E0.109.0219.02.00IM02



www.salami.it

You can find our most up to date “STANDARD SALES CONDITIONS” on our website.
Potete trovare le nostre più aggiornate “CONDIZIONI DI VENDITA STANDARD” sul nostro sito.

Ph. +39 059 387 411 - sales@salami.it



Watch our tutorials on our official youtube channels:

Salami Fluid Power
Salami Fluid Power World
Salami Fluid Power France
Salami Fluid Power España
Salami Fluid Power Deutsch

SALAMI S.P.A.

Via Emilia Ovest 1006
41121 Modena (Italy)
Ph. +39 059 387 411
F. +39 059 387 639
sales@salami.it

SALAMI ESPAÑA

Poligono Industrial Armenteres
C/Primer de Maig, 18, Nave 4
08980 San Feliu de Llobregat
Barcelona
Ph. +34-93-6665451
F. +34-93-6667826
info@salamispain.com

SALAMI FRANCE

22, rue Louis Saillant
69120 Valux en Velin
Lyon
Ph. +33-04-78809941
F. +33-04-78803669
e.pasian@salami.fr

SALAMI HYDRAULICS N.A INC

4630 Crossroads Park Drive
Liverpool
NY 13088 - USA
Ph. +1-315-295-2363
F. +1-315-295-2364
info@salamihydraulics.com